



Fourteen 拾肆

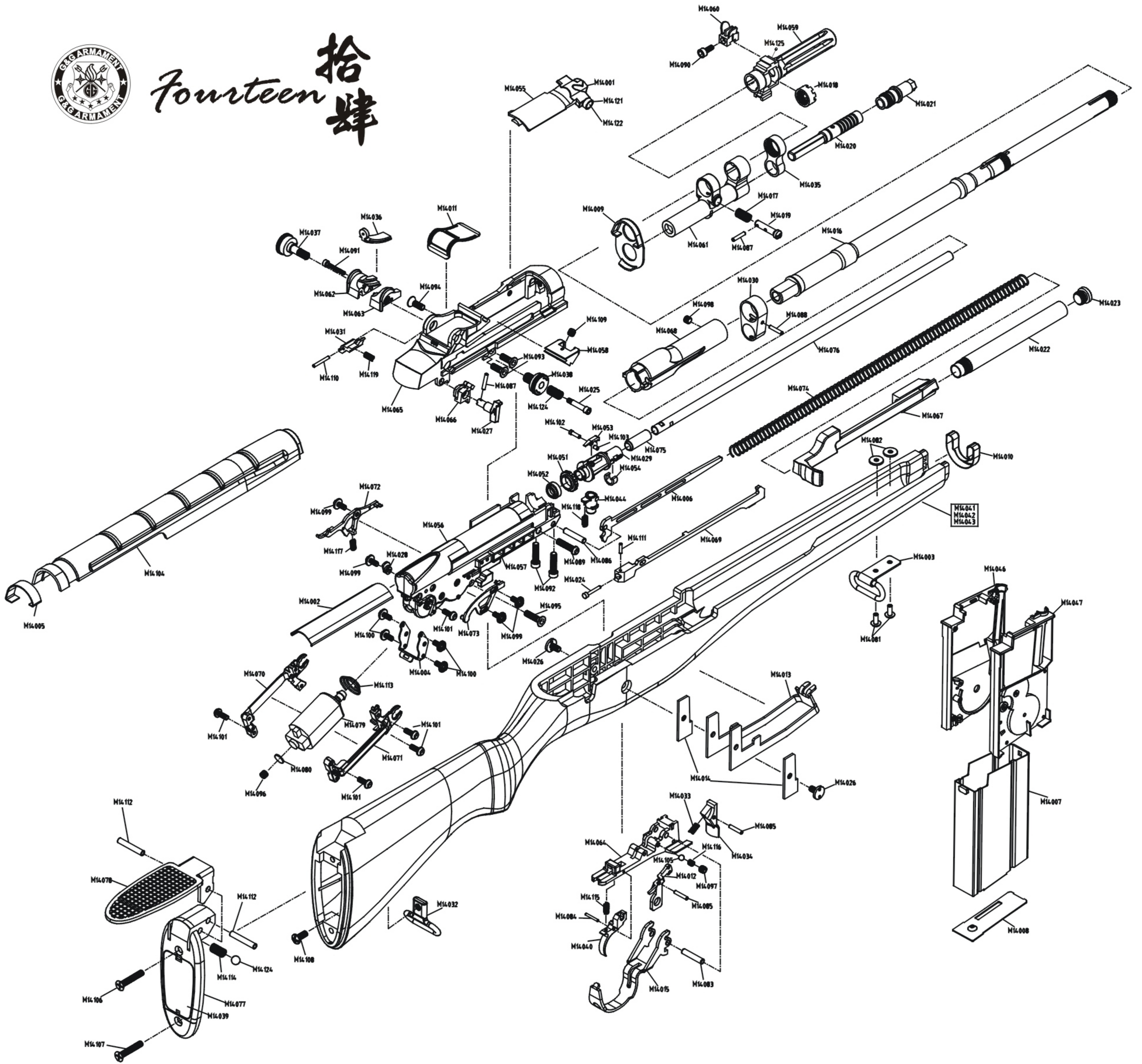
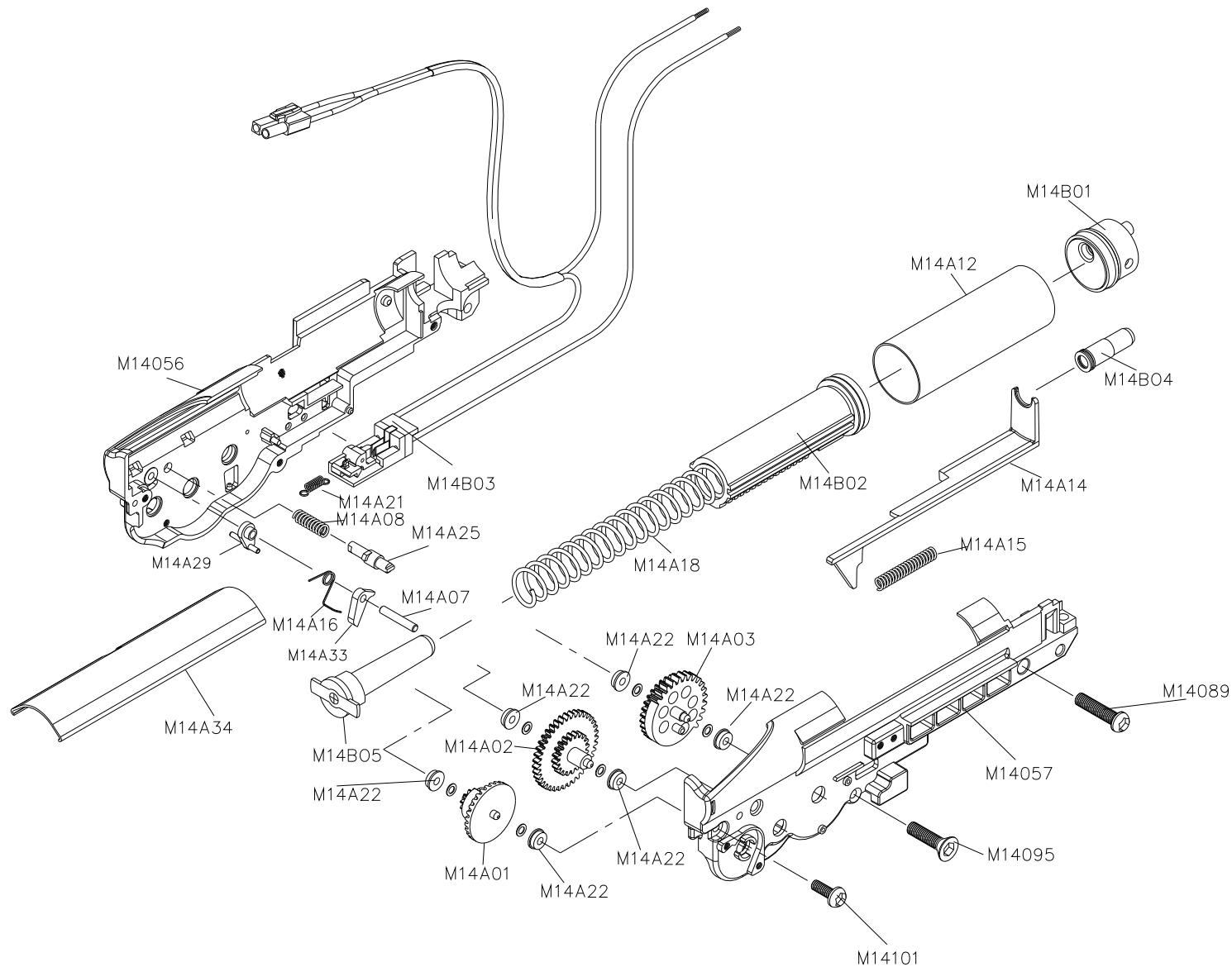


DIAGRAM AND PARTS LIST

- | | | |
|--------------------------------------|---------------------------------------|---------------------------------------|
| M14001 EXTRACTOR | M14043 STOCK RIGHT | M14088 OPERATING ROD GUIDE PIN |
| M14002 GEAR-BOX COVER | M14044 BB ROUTE | M14089 GEAR BOX SCREW A |
| M14003 FRONT SWIVEL | M14045 MAGAZINE CAP | M14090 FRONT SIGHT SCREW |
| M14004 GEAR BOX CLIP | M14046 MAGAZINE INSERT LEFT | M14091 REAR SIGHT BASE SCREW |
| M14005 HAND GUARD REAR FERRULE | M14047 MAGAZINE INSERT RIGHT | M14092 GEAR BOX SCREW C |
| M14006 OPERATING ROD SPRING GUIDE | M14051 HOP ADJUSTING RING | M14093 RECEIVER SCREW A |
| M14007 MAGAZINE TUBE | M14052 HOP FASTEN RING | M14094 RECEIVER SCREW B |
| M14008 MAGAZINE BASE | M14053 PRESS ARM | M14095 GEAR BOX SCREW B |
| M14009 FRONT BAND | M14054 INNER BARREL CLIPPER | M14096 MOTOR ADJUSTING SCREW |
| M14010 STOCK FERRULE | M14055 BOLT | M14097 TRIGGER HOUSING SCREW |
| M14011 REAR SIGHT COVER | M14056 GEAR-BOX LEFT | M14098 BARREL BASE SCREW |
| M14012 SAFETY | M14057 GEAR-BOX RIGHT | M14099 SELECTOR CAM SHAFT SCREW |
| M14013 STOCK LINER A | M14058 CARTRIDGE CLIP GUIDE | M14100 GEAR BOX CLIP SCREW |
| M14014 STOCK LINER B | M14059 FLASH SUPPRESSOR | M14101 MOTOR BASE SCREW |
| M14015 TRIGGER GUARD | M14060 FRONT SIGHT | M14102 PRESS ARM PIN |
| M14016 OUTER BARREL | M14061 GAS CYLINDER | M14103 HOP UP RUBBER TUBE |
| M14017 GAS CYLINDER VALVE SPRING | M14062 REAR SIGHT BASE LEFT | M14104 HANDGUARD |
| M14018 FLASH SUPPRESSOR NUT | M14063 REAR SIGHT BASE RIGHT | M14105 SAFETY FRICTION BALL |
| M14019 GAS CYLINDER VALVE SPINDLE | M14064 TRIGGER HOUSING | M14106 BUTT PLATE SCREW A |
| M14020 GAS PISTON | M14065 RECEIVER | M14107 BUTT PLATE SCREW B |
| M14021 GAS CYLINDER PLUG | M14066 SEAR RELEASE | M14108 REAR SWIVEL SCREW |
| M14022 OPERATING ROD TUBE | M14067 OPERATING ROD ASSEMBLY | M14109 CARTRIDGE CLIP GUIDE SCREW |
| M14023 OPERATING ROD TUBE PLUG | M14068 BARREL BASE | M14110 BOLT LOCK PIN |
| M14024 CONNECTOR PLUNGER | M14069 CONNECTOR ASSEMBLY | M14111 CONNECTOR ASSEMBLY PIN |
| M14025 REAR SIGHT WINDAGE KNOB SCREW | M14070 MOTOR BASE LEFT | M14112 BUTT PLATE PERIMETER PIN |
| M14026 STOCK LINER SCREW | M14071 MOTOR BASE RIGHT | M14113 MOTOR SPRING |
| M14027 SELECTOR | M14072 SELECTOR CONNECTING ROD | M14114 BUTT PLATE SPRING |
| M14028 SELECTOR CAM | M14073 TRIGGER CONNECTING ROD | M14115 TRIGGER SPRING |
| M14029 HOP UP CHAMBER | M14074 OPERATING ROD SPRING | M14116 SAFETY FRICTION BALL SPRING |
| M14030 OPERATING ROD GUIDE | M14075 RUBBER PACKING | M14117 SELECTOR CONNECTING ROD SPRING |
| M14031 BOLT LOCK | M14076 INNER BARREL | M14118 BB ROUTE SPRING |
| M14032 REAR SWIVEL | M14077 BUTT PLATE | M14119 BOLT LOCK SPRING |
| M14033 MAGAZINE CATCH SPRING | M14078 BUTT PLATE PERIMETER | M14120 REAR SIGHT WINDAGE KNOB SPRING |
| M14034 MAGAZINE CATCH | M14079 MOTOR | M14121 BOLT ROLLER |
| M14035 GAS CYLINDER LOCK | M14080 MOTOR PLATE | M14122 BOLT ROLLER SCREW |
| M14036 APERTURE | M14081 RIVET | M14123 BB BLOCKER |
| M14037 REAR SIGHT ELEVATING KNOB | M14082 WASHER | M14124 FRICTION BALL |
| M14038 REAR SIGHT WINDAGE KNOB | M14083 TRIGGER GUARD PIN | M14125 FLASH SUPPRESSOR SCREW |
| M14039 BATTERY COVER | M14084 TRIGGER PIN | |
| M14040 TRIGGER | M14085 MAGAZINE CATCH PIN | |
| M14041 STOCK FRONT | M14086 OPERATING ROD SPRING GUIDE PIN | |
| M14042 STOCK LEFT | M14087 GAS CYLINDER VALVE PIN | |

Fourteen Gear box



G&G ARMAMENT
AIRSOFT GUNS & ACCESSORIES
[HTTP://WWW.GUAY2.COM](http://www.guay2.com) CONTACT: B2B@GUAY2.COM
 MANUFACTURED BY GUAY GUAY TRADING CO., LTD. MADE IN TAIWAN
 COPYRIGHT © 2006 GUAY GUAY TRADING CO., LTD. ALL RIGHTS RESERVED.